

Indexing plungers with Stainless Steel-Plunger

without rest position

SPECIFICATION

Guide
Zinc die casting
zinc plated, blue passivated

Knob
Plastic (Polyamide PA)

- black, matt
- not removable

Pin Stainless Steel AISI 303
chemically nickel plated

Single components Stainless Steel

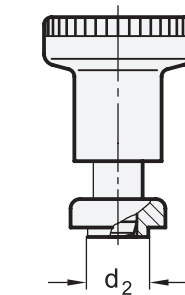
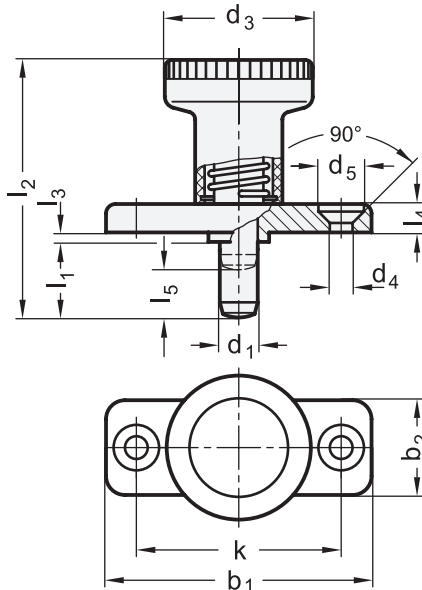
INFORMATION

Indexing plungers with Stainless Steel-Plunger GN 608.5 are distinguished for their small dimensions.

- Range of indexing plungers (see page 738)

TECHNICAL INFORMATION

- ISO-Fundamental Tolerances (see page A21)
- Stainless Steel characteristics (see page A26)
- Plastic characteristics (see page A2)
- Load rating information (see page A42)



Plunger retracted
(if $l_1 = d_1$)

GN 608.5

STAINLESS STEEL

Description	d1 Pin -0.02/-0.05 Bore H7	l1	b1	b2	d2 -0.02/-0.1	d3	d4	d5	k	l2	l3 -0.15	l4	l5	Spring load in N ≈ initial	Spring load in N ≈ end	Axial load in N	△
GN 608.5-6-6	6	6	40	18	10	25	4.3	8.3	30	37	2.5	4.5	6	9	25	400	36
GN 608.5-6-14	6	14	40	18	10	25	4.3	8.3	30	45	2.5	4.5	6	9	25	400	38
GN 608.5-8-8	8	8	46	20	12	31	5.3	10.4	34	44	2.5	4.5	8	13	26	500	50
GN 608.5-8-18	8	18	46	20	12	31	5.3	10.4	34	54	2.5	4.5	8	13	26	500	59